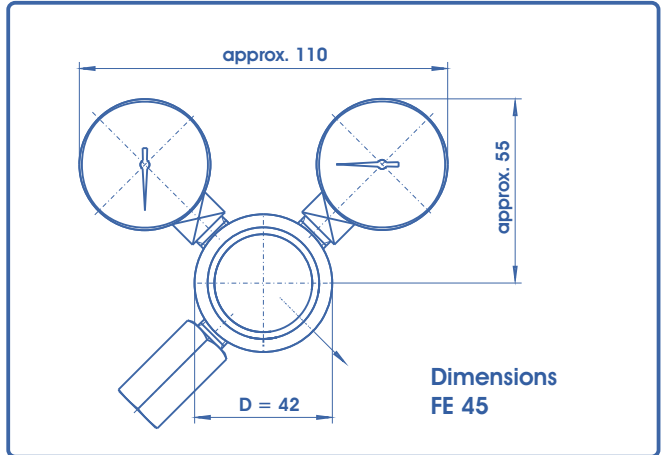


# Cylinder regulator FE 45



Figure  
FE 45



Dimensions  
FE 45

## Product features

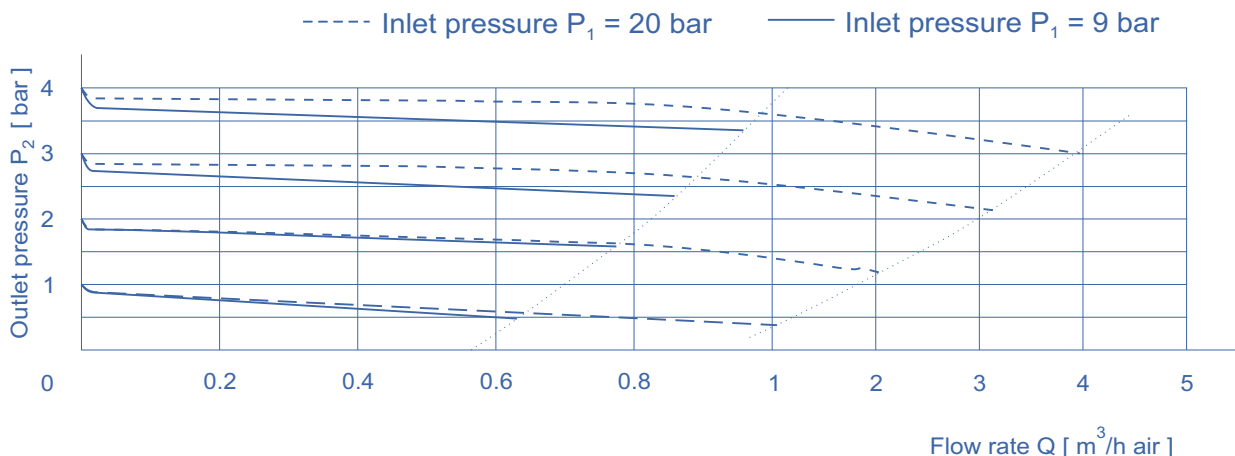
- Single-stage cylinder pressure regulator with compensated main valve for improved performance
- Simple and safe gas withdrawal from gas cylinders, for corrosive gases and gas mixtures up to quality 6.0
- Compensated main valve for significantly improved outlet pressure accuracy similar to a dual-stage regulator
- Compact design, light weight
- New laboratory-style design
- Ergonomically designed
- Suitable for ECD-applications
- High control accuracy
- Integrated relief valve
- Hastelloy-diaphragm
- Minimised gas-wetted surface
- Manual cylinder connection (for non-metal-to-metal sealing cylinder connections)

## Technical data

<b>Inlet pressure <math>P_1</math>:</b>	max. 230 bar 300 bar on request
<b>Max. Outlet pressure <math>P_2</math>:</b>	0,1 - 10 bar
<b>Flow rate <math>Q</math>:</b>	see flow curves
<b>Materials:</b>	
Body:	SS 1.4404 (SS 316 L)
Diaphragm:	Hastelloy C276
Valve seat:	PCTFE <sup>1)</sup>
<b>Cylinder connection:</b>	acc. to international standards and gas type
<b>Outlet connector:</b>	1/8"-27 NPT-F
<b>Leak rate (to atmosphere):</b>	$10^{-8}$ mbar l/sec He
<b>Weight:</b>	520 g
<b>Outlet fittings:</b>	see accessories

<sup>1)</sup> Other valve seat materials such as PVDF upon request

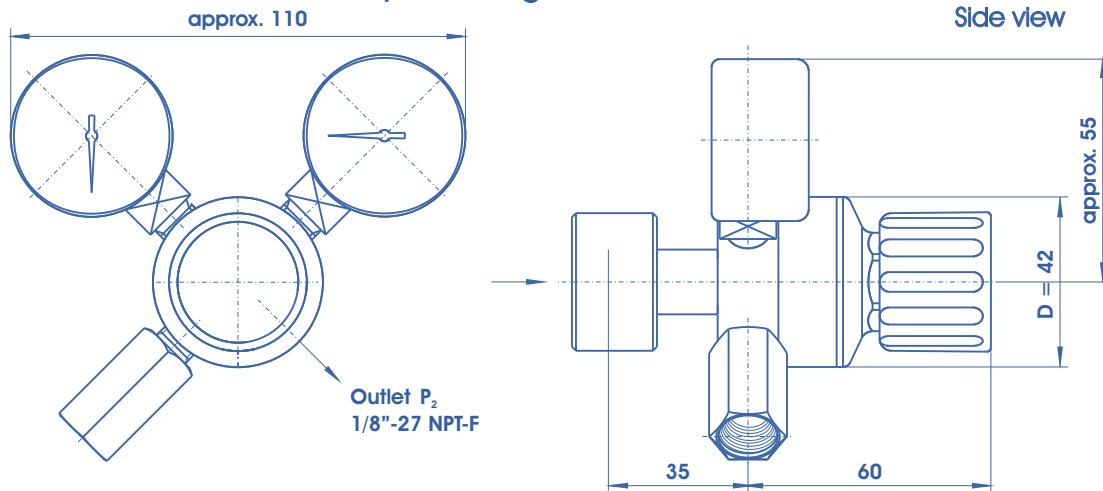
## Flow curves FE 45



# Cylinder regulator FE 45

spectro**cem**

## Cylinder regulator FE 45



Additional configurations upon request!

Ordering information:  
FE 45 series cylinder regulators

**FE 45 - 230 - 4 - BS no. 3 - H<sub>2</sub>**

### Inlet pressure P<sub>1</sub>

230 - max. 230 bar

### Outlet pressure P<sub>2</sub>

1,5 - up to 1.5 bar  
4 - up to 4 bar  
10 - up to 10 bar

### Type of gas

Please specify type of gas (for selection of valve seat material)

### Cylinder connection

Detailed description of the cylinder connection including the relevant standard and the number of the connection (e.g. BS no.3)

### Specifications

- SPECTROCEM - components guarantee maximum quality by using high grade materials and a quality assurance program acc. to ISO 9001.
- All components which come into contact with the medium are cleaned in an ultrasonic cleaning system (CFC-free) with the special cleaning process SPECTRO-CLEAN<sup>®</sup> and are then baked out.
- SPECTROCEM - components undergo a 100% function- and Helium-leak-test.

### Pressure indication

- All pressure regulators are equipped with pressure gauges for inlet- and outlet pressure indication.

### Important note regarding component selection

- In order to assure safe operation it is essential to take the configuration of the whole gas supply system into account when selecting a pressure regulator.
- The function of the regulator, the compatibility of the materials, correlating temperature ranges, correct installation, operation and maintenance in accordance with the relevant regulations are the responsibility of the system designer and the user.